

WiFi Display Multimedia Player ^{HD}



X10M - Smart phone partner

Инструкция по эксплуатации

Thank you for purchasing our products, before you use the unit, please read the instructions.

Precautions

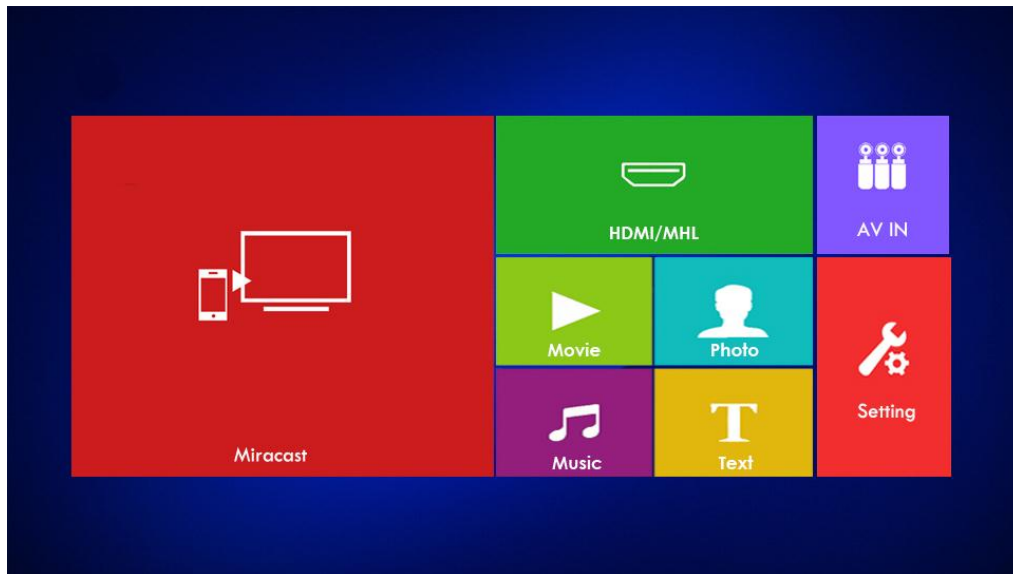
- 1、 Don't expose the unit in humid、 dusty、 steam/lampblack/sunlight or other related severe environment.
- 2、 Please do not use diluent or other chemical cleaner、 but use soft cloth to clean the unit.
- 3、 The unit should be far away from overheating and under cooled places, keep the storage temperature at $-30^{\circ}\text{C} \sim 80^{\circ}\text{C}$, operating temperature at $-20^{\circ}\text{C} \sim 70^{\circ}\text{C}$.
- 4、 Please do not drop or strike the unit.
- 5、 Power supply: DC 6V \sim 16V
- 6、 Please do not attempt to repair the unit by yourself, if you have any problems, please turn off the power and stop use and notify your local retailer. This unit has precision electronic components , non specialist disassemble or repair will probably damage the unit.

Main functions & Parameters

- 10.1 inch digital panel (1024*RGB*600)
- Unique UI interface design
- Miracast: Android WiFi display makes the unit sharing all resources with your smart phone, such as picture, music, movie, game etc...
- HDMI/MHL input : Smart phone(IOS, Android) can share resources and charge at the same time by HDMI/MHL cable .
- 1080P HD multimedia player : With SD card/USB reader, Full format decoder includes movie, music, picture, ebook...
- OSD languages: English, Chinese
- Power supply: DC 6V to 16V
- FM/IR transmitter, built-in speakers, AV input
- With bracket suitable for various car models.
- Bracket is adjustable and the unit is removable from bracket.

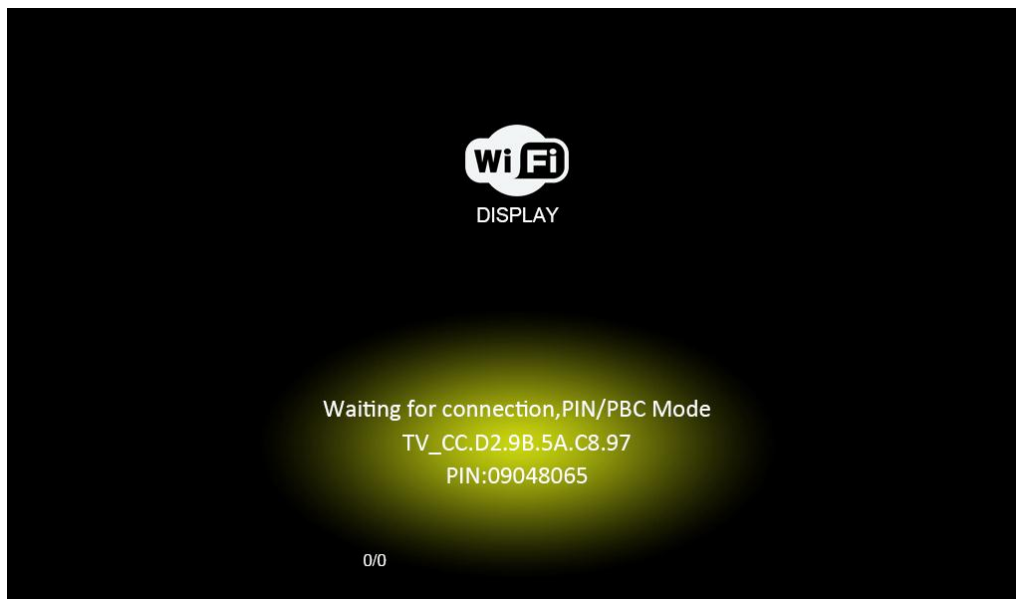
Desktop interface

User can select Miracast、HDMI/MHL、Av in、Movie、Music、Photo、Text、Setting.

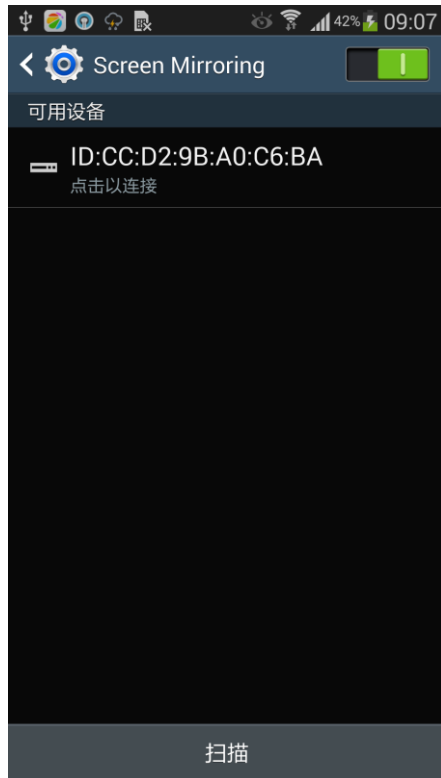


Android Wi-Fi Display (Miracast) interface

Enter the "Miracast"

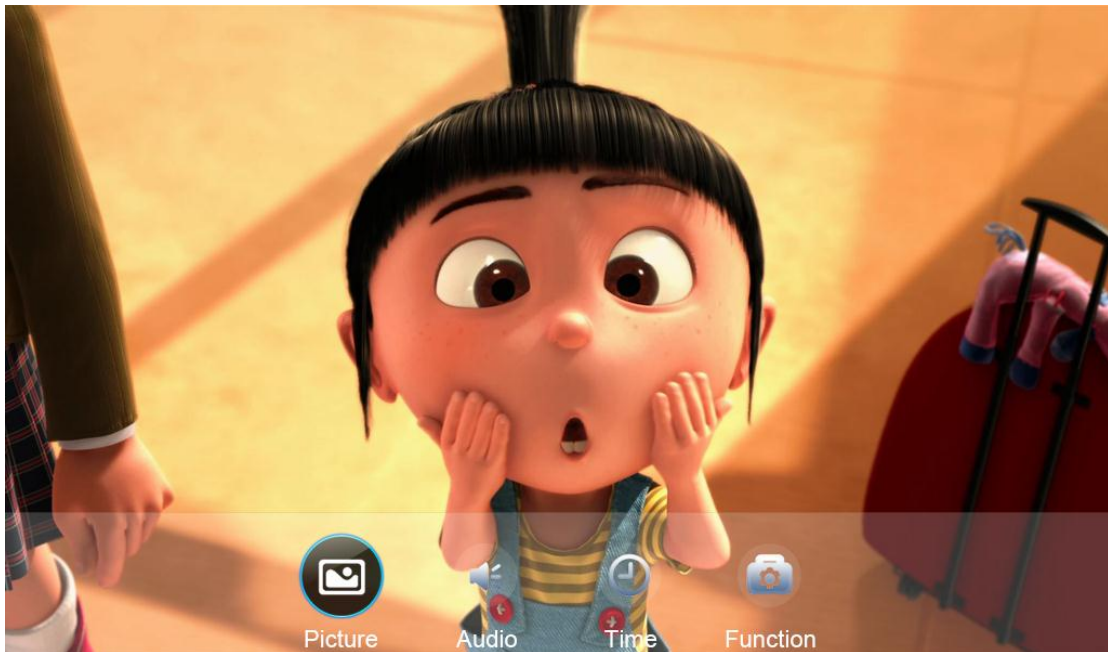


Open the Smart phone “screen mirroring” feature and connect it



HDMI input

Enter the “HDMI/MHL”, connect with HDMI signal



Smart phone High-Definition Link (MHL) input

Enter the "HDMI/MHL", connect with MHL signal



Video player interface

Enter the "Video". Choose any video to play



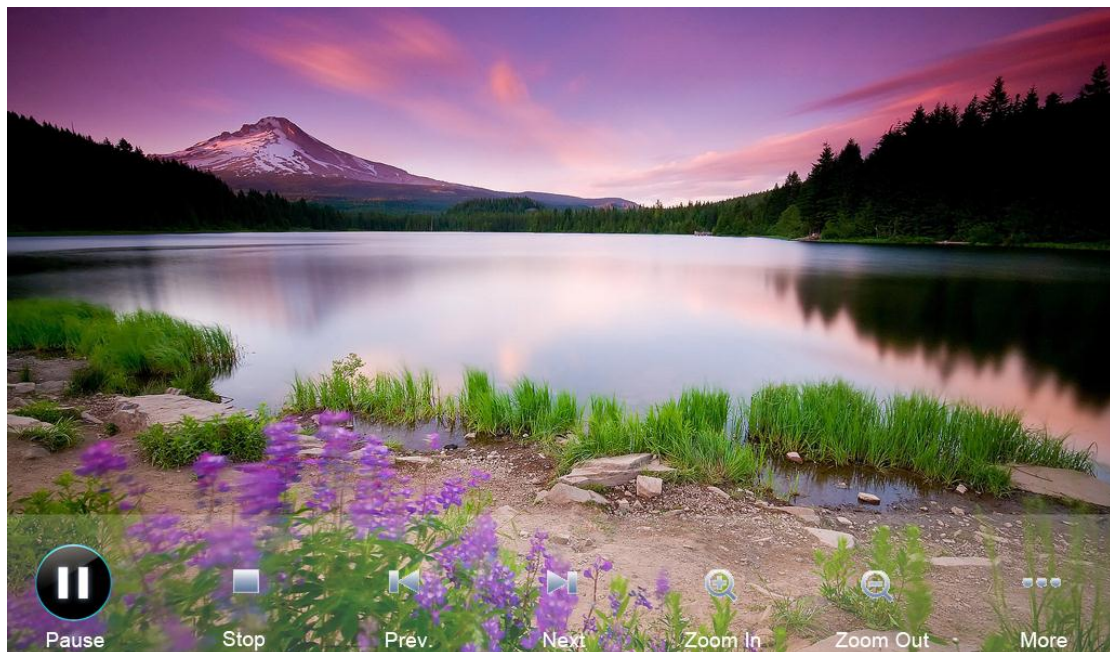
Music player interface

Enter the “Music”. Choose any music to play



Photo player interface

Enter the “Photo”. Choose any photo to play



Text player interface

Enter the "Text". Choose any text to play

>Text Jane Eyre.txt 25/1008

THERE was no possibility of taking a walk that day. We had been wandering, indeed, in the leafless shrubbery an hour in the morning; but since dinner (Mrs. Reed, when there was no company, dined early) the cold winter wind had brought with it clouds so sombre, and a rain so penetrating, that further outdoor exercise was now out of the question. I was glad of it: I never liked long walks, especially on chilly afternoons: dreadful to me was the coming home in the raw twilight, with nipped fingers and toes, and a heart saddened by the chidings of Bessie, the nurse, and humbled by the consciousness of my physical inferiority to Eliza, John, and Georgiana Reed. The said Eliza, John, and Georgiana were now clustered round their mama in the drawing-room: she lay reclined on a sofa by the fireside, and with her darlings about her (for the time neither quarrelling nor crying) looked perfectly happy. Me, she had dispensed from joining the group; saying, 'She regretted to be under the necessity of keeping me at a distance; but that until she heard from Bessie, and could discover by her own observation, that I was endeavouring in good earnest to acquire a more sociable and childlike disposition, a more attractive and sprightly manner- something lighter, franker, more natural, as it were- she really must exclude me from privileges intended only for contented, happy, little children.'

'What does Bessie say I have done?' I asked.

'Jane, I don't like cavillers or questioners; besides, there is something truly forbidding in a child taking up her elders in that manner. Be seated somewhere; and until you can speak pleasantly, remain silent.' A small breakfast-room adjoined the drawing-room, I slipped in there. It contained a bookcase: I soon possessed myself of a volume, taking care that it should be one stored with pictures. I mounted into the window-seat: gathering up my feet, I sat cross-legged, like a Turk; and, having drawn the red moreen curtain nearly close, I was shrined in double retirement. Folds of scarlet drapery were in my view to the right hand; to the left were the clear panes of glass, protecting, but not separating me from the world.

Stop Prev. Page Next. Page Prev. Next Page Turn Font Size Save

Settings

Enter the Setting .You can set Picture、 Audio、 Time、 Function.

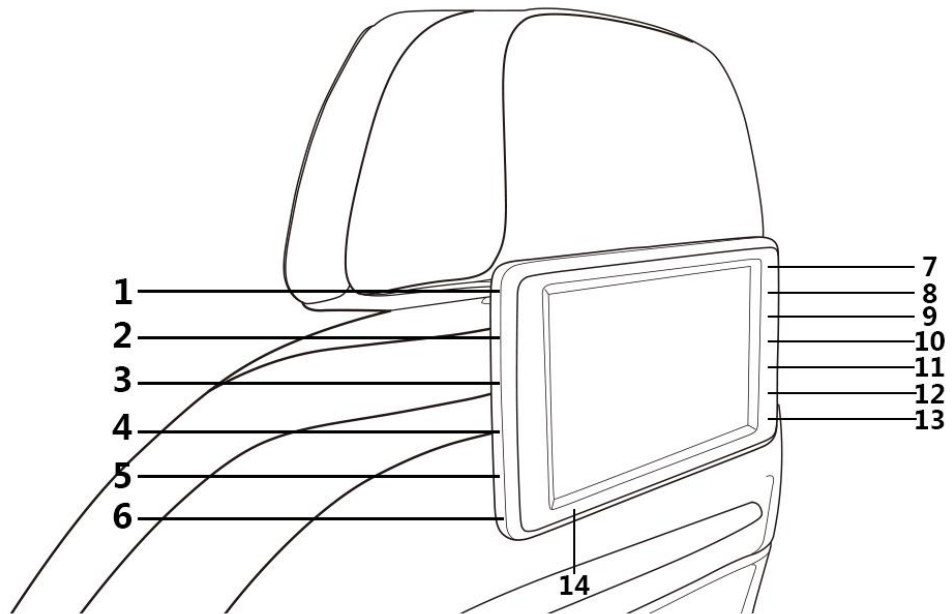
Picture Audio Time Function

Video input

Enter the "AV IN", connect with AV signal



Installation diagram



- 1.HDMI/MHL socket
- 2.USB socket
- 3.TF card socket
- 4.AV input
- 5.Headset
- 6. DC input

- 7.Return
- 8.Up
- 9.Down
- 10.Confirm
- 11.Left
- 12.Right

- 13.Power on/off
- 14.IR Lamp

Bracket Installation Instruction

1. Mount metal bracket to the steel poles, insert the cables into the seatback through the gap between the pole and leather. Bind the metal bracket and the pedestal by using the nylon cable ties to prevent moving with the headrest



2. Cover the metal bracket using the plastic cover



3. Pull out the connector to a suitable position



4. Hang the monitor over the connector, make sure the two connected firmly



5. User can detach the monitor from bracket, then cover the connector, it is safety measures for passengers



Installation recommendations

- 1.If the seat with cap, you can open the cap and insert the cables go though the seat.
- 2.If the seat without cap,it's difficult for cables going through inside,we suggest it is better to connect with cigarette lighter.