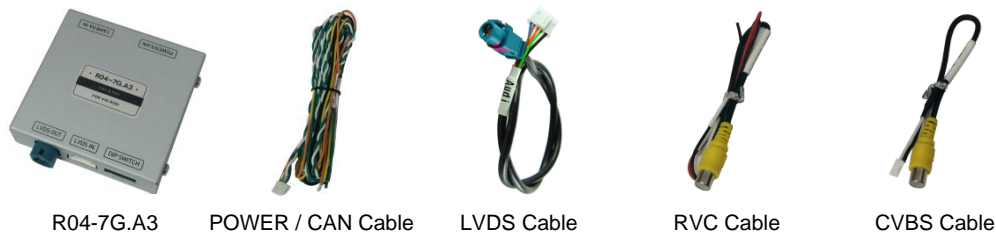


Apt. CF-PI-AX-A3-G7 Rear View Camera Interface

Components

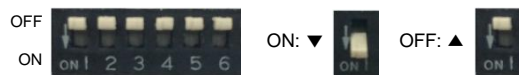


R04-7G.A3 POWER / CAN Cable LVDS Cable RVC Cable CVBS Cable

Version Information

Model Name	CF-PI-AX-A3-G7
Latest Firmware Date	2014 - 06 - 20
Manual Version	Rev. 1.5
Manual Release Date	2014 - 06 - 20

DIP Switch Settings



No.	Function	Setting	No.3	No.4	No.5	No.6	Car models
No.1	Rear View CAM	ON(▼) / OFF(▲)	No.3	No.4	No.5	No.6	Car models
No.2	Front View CAM	ON(▼) / OFF(▲)	OFF(▲)	OFF(▲)	OFF(▲)	OFF(▲)	VW Golf (5.8-inch)
No.3	Selection of car model	ON(▼) / OFF(▲)	ON(▼)	OFF(▲)	OFF(▲)	OFF(▲)	VW Golf (8-inch)
No.4			OFF(▲)	OFF(▲)	OFF(▲)	ON(▼)	Audi A3 (5.8-inch)
No.5			ON(▼)	OFF(▲)	OFF(▲)	ON(▼)	Audi A3 (7-inch)
No.6							

Setting Mode for VW Golf



Steering wheel buttons

Buttons	Function
OK	Enter into the setting menu. (press the button 5 seconds)
	Select the setting menu and setting values.
	Back to previous menu.
Arrow buttons (▲, ▼, ◀, ▶)	Move the menu-pointer and Adjust the setting values.
Down arrow button(▼)	Change the mode to FVC(AV1) (press the button 2 seconds)

Setting Mode for Audi A3



MMI Controller



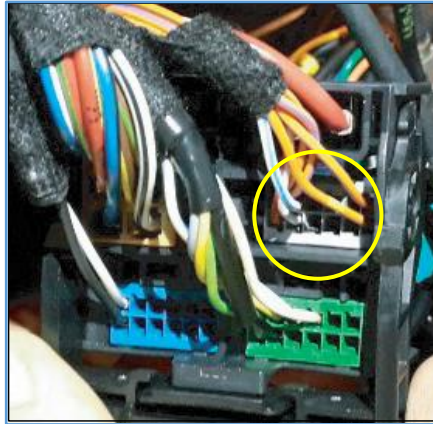
Steering wheel buttons

Button	Function
MENU	Enter into the setting menu. (press the button 5 seconds)
Selection(●)	Select the setting menu and setting values.
BACK	Back to previous menu.
Turn the dial clockwise	Move the menu-pointer and adjust the setting values to UP(↑) and RIGHT(→).
Turn the dial counterclockwise	Move the menu-pointer and adjust the setting values to DOWN(↓) and LEFT(←).
NAV	Change the mode to FVC(Front View Camera / AV1), when press the button short.
i NAV (On the steering wheel)	Change the mode to FVC(Front View Camera / AV1), when press the button 2 seconds.

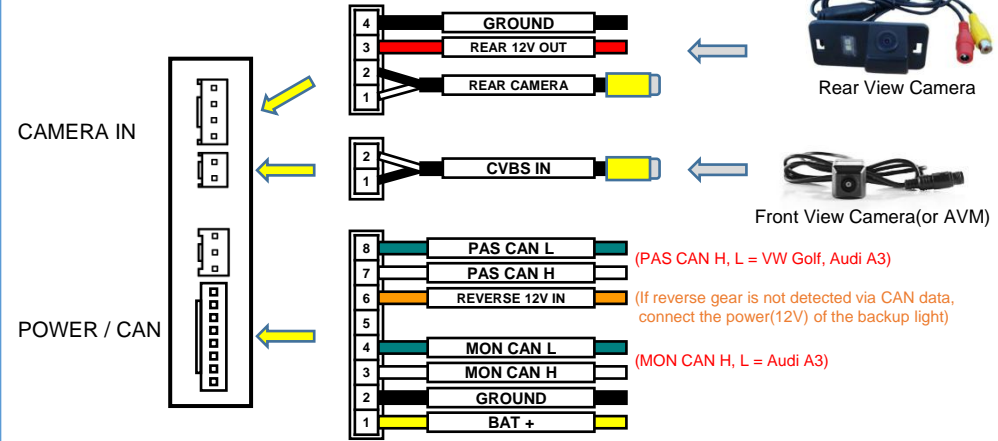
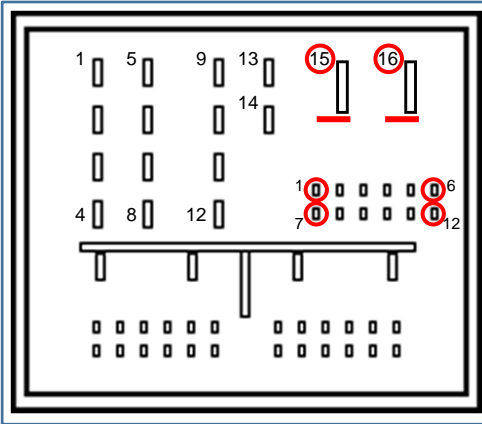
Apt. CF-PI-AX-A3-G7 Rear View Camera Interface

Installation Diagram

Head Unit(in the glovebox) – Main connector



CAN wires Information



5.8-inch screen = 'Purple' LVDS Connector
7, 8-inch screen = 'Gray' LVDS Connector
(*Yellow' Connector of head unit is not LVDS connector.)

